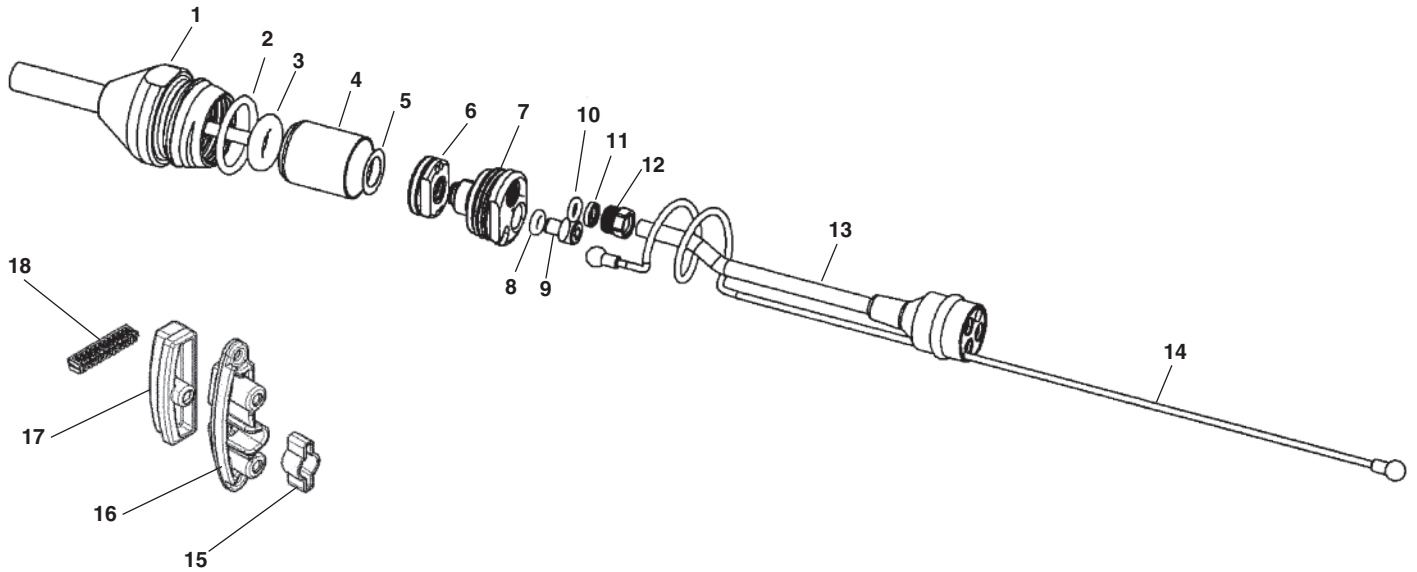
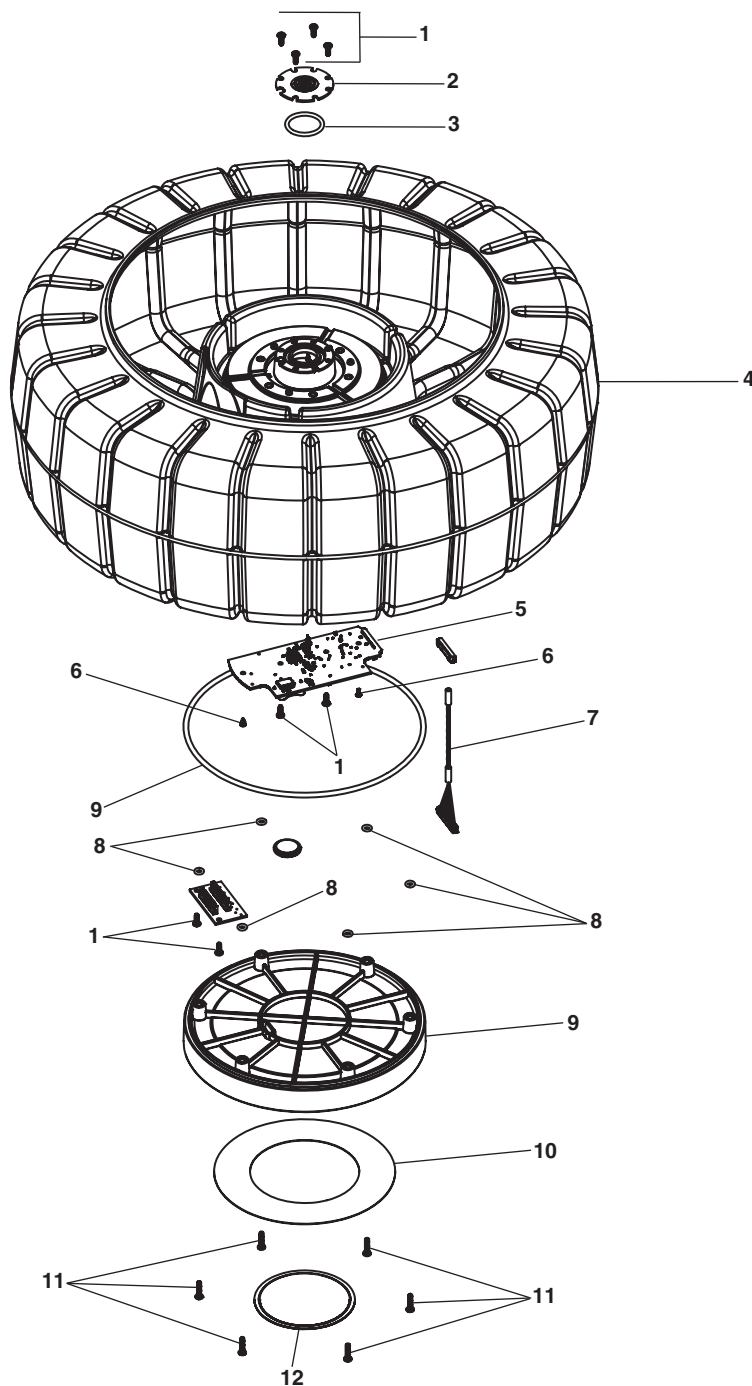


**Compact 2**



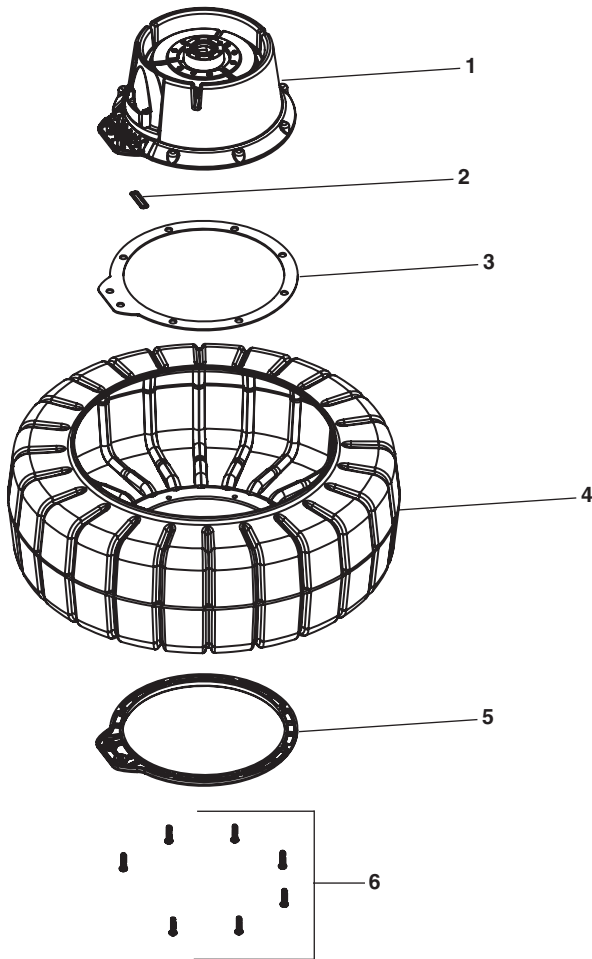
**NOTE: Order parts by Catalog Number only.  
DO NOT order by Reference Number.**

Ref. No.	Catalog No.	Description
	49438	Push Cable Asm.
1	18763	Spring Shell
2	18768	O-Ring
3	18773	O-Ring
4	18778	O-Ring Cap
5	18793	Spring Washer
6	18783	Push Nut
7	18788	Termination Plug
8	18828	O-Ring
9	18803	Screw
10	18798	O-Ring
11	18808	Back Up Ring
12	18813	Seal Screw
13	18818	Coil Cord
14	18823	Safety Cable
15	71607	Clamp
16	35933	Sealing Clamp
17	35928	Wire Plug
18	36223	IDC Connector
	18733	Retermination Kit Incl. Ref Nos. 2,3,6,7,8,10,11,12
Items Not Shown		
	20268	Spring Assembly
	20273	Locking Sleeve
	20278	Retaining Ring
	20283	Connector W/Ball Slot
	20288	Connector Less/Ball Slot



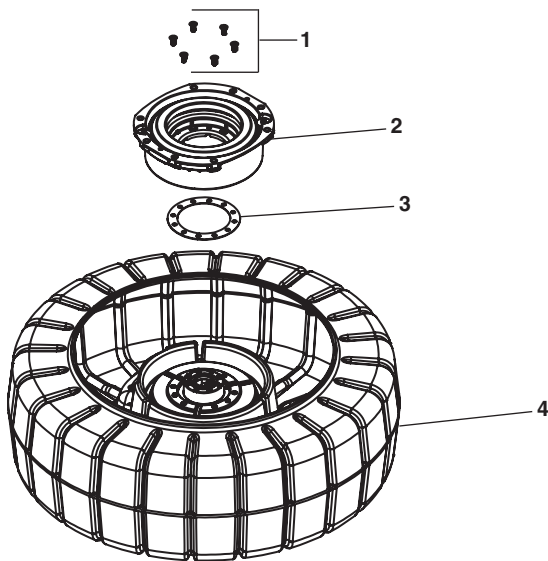
**NOTE: Order parts by Catalog Number only.  
DO NOT order by Reference Number.**

Ref. No.	Catalog No.	Description
1	35548	Screw, #4-20 x 5/16" (8)
2	35598	Drum Side PCB
3	35613	O-Ring
4	52618	Drum Asm W/Hub Cone
5	35603	Hub PCB
6	53533	Screw, #2-28 x 3/16" (2)
7	52613	Audio PCB Cable
8	35608	O-Ring
9	52623	Hub Cover
10	52633	Label
11	24488	Screw, #4-40 x 1/2" (6)
12	37198	Keypad



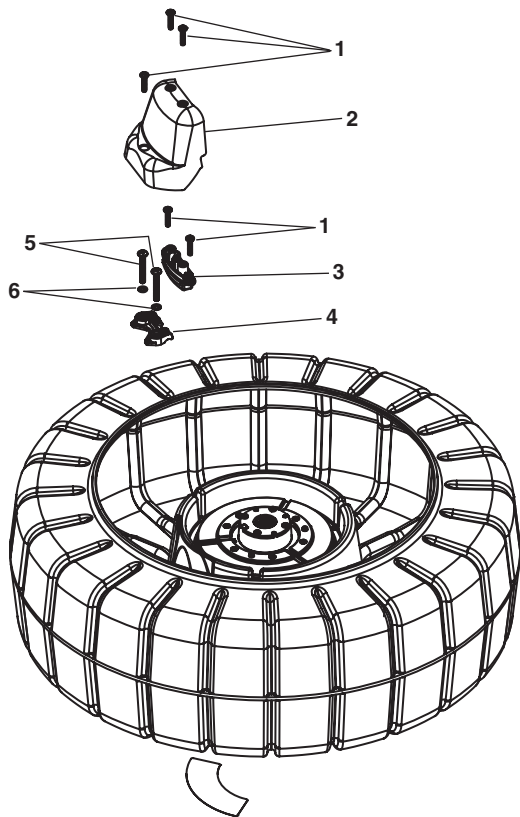
**NOTE: Order parts by Catalog Number only.  
DO NOT order by Reference Number.**

<u>Ref. No.</u>	<u>Catalog No.</u>	<u>Description</u>
1	52638	Hub Cone
2	35588	Connector Gasket
3	52653	Drum Gasket
4	52643	Drum Only
5	52648	Drum Flange
6	52948	Screw, #8-16 x 3/4" (7)



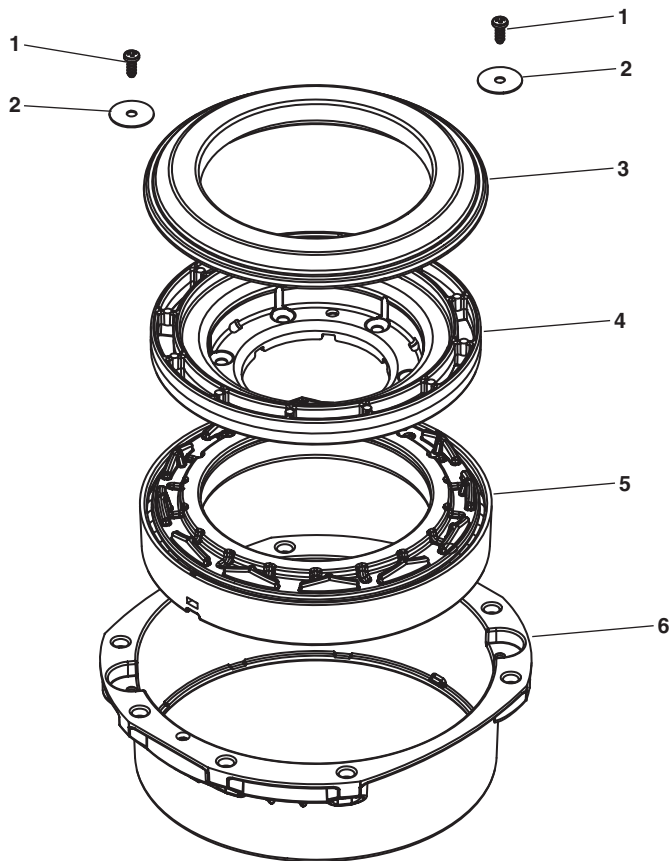
**NOTE: Order parts by Catalog Number only.  
DO NOT order by Reference Number.**

<u>Ref. No.</u>	<u>Catalog No.</u>	<u>Description</u>
1	52933	Screw, #8-32 x 3/8" (6)
2	52598	Bearing Asm.
3	52603	Hub Gasket
4	52618	Drum Asm.



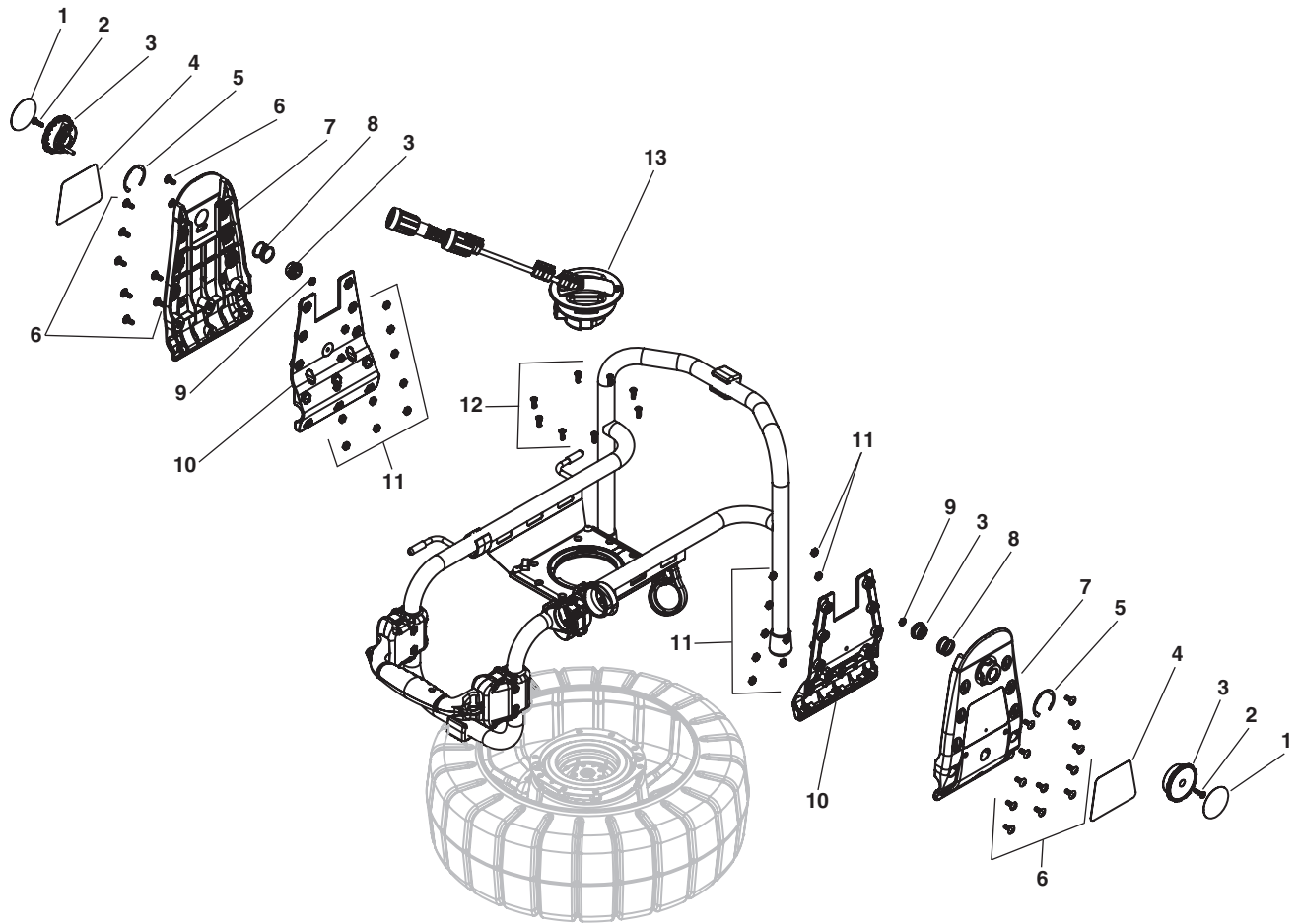
**NOTE: Order parts by Catalog Number only.  
DO NOT order by Reference Number.**

Ref. No.	Catalog No.	Description
1	35663	Screw, #6 x 5/8" (5)
2	50848	Hub Shield
3	35933	Sealing Clamp
4	35658	Push Cable Retainer
5	50833	Screw, #8-32 x 1 1/2" (2)
6	50838	Flat Washer (2)



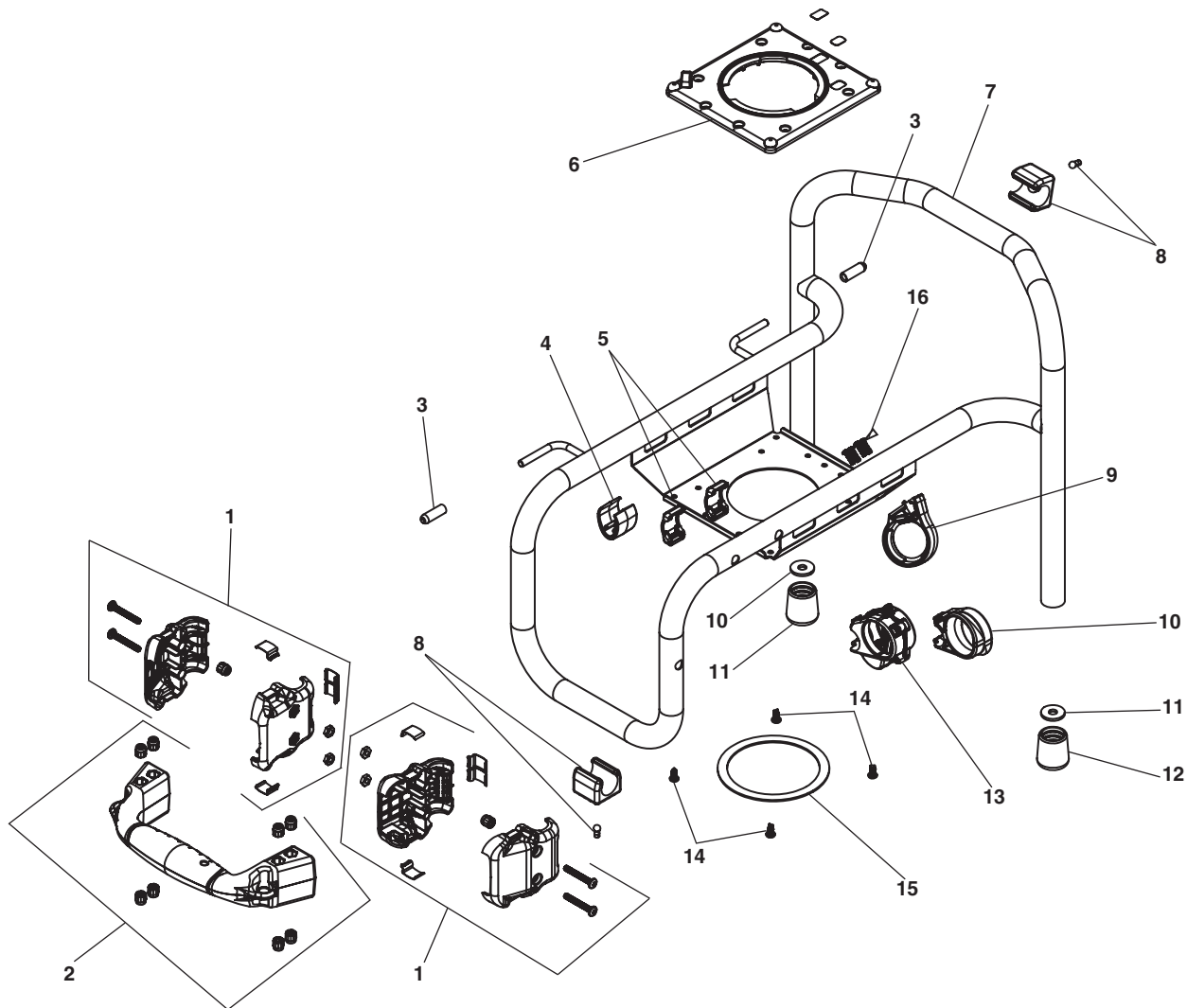
**NOTE: Order parts by Catalog Number only.  
DO NOT order by Reference Number.**

Ref. No.	Catalog No.	Description
1	35548	Screw, #4-20 x 5/8"
2	53528	Flat Washer (2)
3	43493	Front Bearing Asm.
4	53258	Bearing Spacer
5	47593	Back Bearing Asm.
6	53253	Bearing Housing



**NOTE: Order parts by Catalog Number only.  
DO NOT order by Reference Number.**

Ref. No.	Catalog No.	Description
1	53263	Knob Label (2)
2	53513	Screw, #8-32 x 3/16" (2)
3	53213	Knob Pin (2)
4	53268	Warning Label (2)
5	53538	Retaining Ring (2)
6	52923	Screw, #10-32 x 1/2" (24)
7	53218	Side Plate (2)
8	53508	Compression Spring (2)
9	35648	Hex Nut #8-32 (2)
10	53223	Backing Plate (2)
11	52918	Hex Nut #10-32 (24)
12	53523	Screw, #8-32 x 1/2" (8)
13	33108	Interconnect Cord Asm



**NOTE: Order parts by Catalog Number only.  
DO NOT order by Reference Number.**

Ref. No.	Catalog No.	Description
1	53503	Handle Mounting Asm
2	50218	Handle Asm.
3	52928	Rubber Tip (2)
4	72532	Wire Clip
5	53248	Front Cable Guide Retainer
6	53228	Slip Ring Mount
7	53498	Frame Asm (incl ref no's 3, 8, 10, 11)
8	72557	Frame Bumper (2)
9	53243	Cable Guide Asm
10	53238	Mid Cable Guide
11	72537	Washer (2)
12	70042	Rubber Foot (2)
13	49218	Front Cable Guide
14	53203	Screw, #8 x 3/8" (4)
15	53233	Flat Seal
16	24413	Screw, #6 x 1/2" (4)